

Mechanical Gas Valves



P/N: 87-100001-00X

Effective: November 2012
K-87-022

FEATURES

- **For Use in:**
 - WHDR™ Commercial Cooking Fire Suppression Systems
 - IND™ Industrial Fire Suppression Systems
- **For Use with XV™ Control System and KRS-50 Control Box**
- **UL & ULC Listed**
- **FM Approved for IND™ Systems**

DESCRIPTION

A Mechanical Gas Valve (Figure 1) is required on systems used to protect gas-fueled equipment (e.g., appliances). Upon system actuation, tension on the control stem is released, closing the valve and stopping gas flow to the equipment.

All Mechanical Gas Valves include an optional cable block (see Figure 2) which can be used to prevent over-extending the valve stem in the open position.

Note: Only Mechanical Gas Valves that are specifically UL listed and identified by part number in this data sheet may be used with the Kidde system.

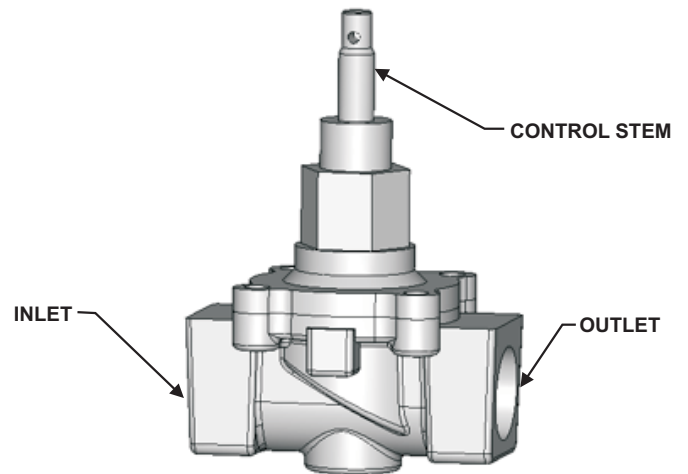


Figure 1. Mechanical Gas Valve, P/N 87-100001-001

ORDERING INFORMATION

Gas Valves:	
Valve Size	Part Number
3/4 in. (19 mm)	87-100001-001
1 in. (25.4 mm)	87-100001-002
1-1/4 in. (32 mm)	87-100001-003
1-1/2 in. (38 mm)	87-100001-004
2 in. (51 mm)	87-100001-005
2-1/2 in. (64 mm)	87-100001-006
3 in. (76 mm)	87-100001-007
Pulley:	
Double Tee Pulley	83-843792-000

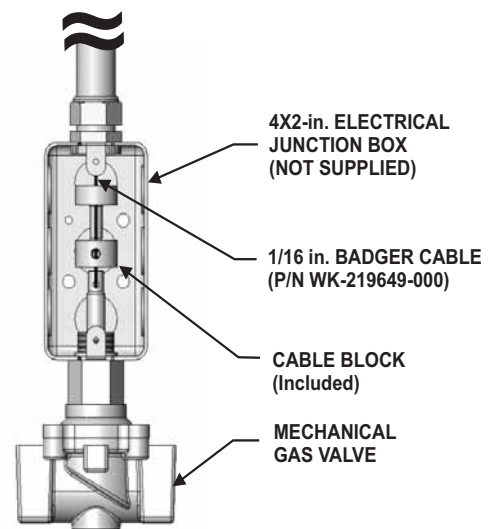


Figure 2. Typical Mechanical Gas Valve Installation

DIMENSIONS

Mechanical Gas Valves can be mounted in any orientation. Refer to Figure 3 and Table 1 below for dimension values.

Table 1: Dimensions for Mechanical Gas Valves

Part Number	NPT	Dimensions (inches)							
		A	B	C	D	E	F (Max.)	G	H
87-100001-001	3/4	3 5/16	1 21/32	3 3/4	4	4 13/16	3/16	1 9/64	2 11/32
87-100001-002	1	5	2 3/8	5 19/32	5 27/32	7 5/32	17/32	2 11/16	5 3/8
87-100001-003	1 1/4								
87-100001-004	1 1/2			5 21/32	5 51/64				
87-100001-005	2	6 3/32	2 13/16	6	6 1/4	7 3/4	39/64	3 5/32	6 5/16
87-100001-006	2 1/2	7 51/64	3 29/32	7 3/8	7 5/8	9 61/64	29/32	4 1/8	7 61/64
87-100001-007	3	7 25/32	3 57/64						

USE WITH DOUBLE TEE PULLEY

Two mechanical gas valves can be simultaneously operated from a single XV Control System connection when used in conjunction with the Double Tee Pulley, P/N 83-843792-000. (See Figure 4.)

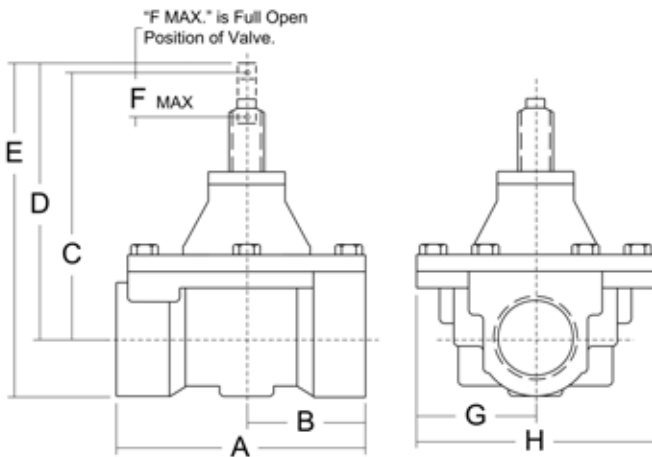


Figure 3. Dimensions of the Mechanical Gas Valve

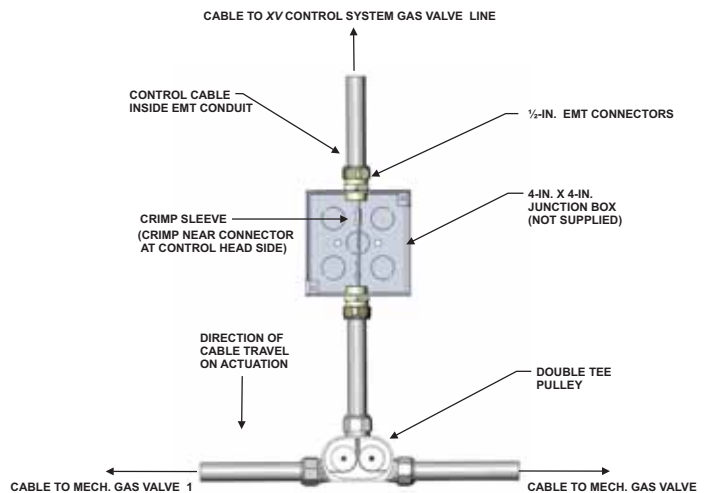


Figure 4. Double Tee Pulley with Two Mechanical Gas Valves (XV Control System only)

Kidde is a registered trademark of Kidde-Fenwal, Inc.
WHDR, IND, and XV are trademarks of Kidde-Fenwal, Inc.

This literature is provided for informational purposes only. KIDDE-FENWAL, INC. assumes no responsibility for the product's suitability for a particular application. The product must be properly applied to work correctly. If you need more information on this product, or if you have a particular question, contact KIDDE-FENWAL, INC., Ashland, MA 01721. Telephone: (508) 881-2000.